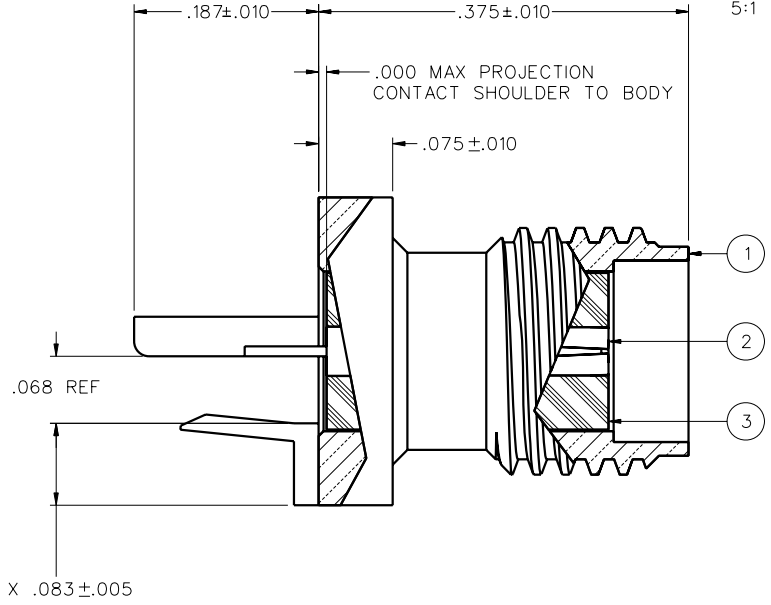
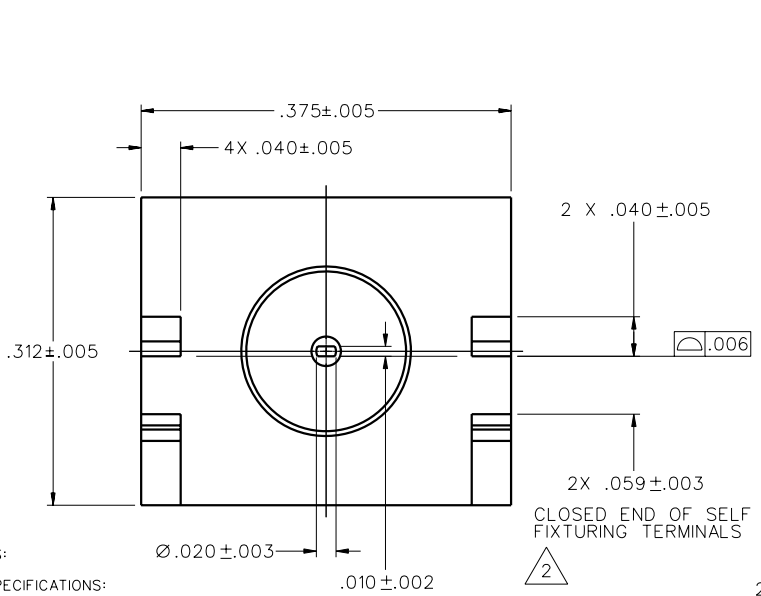
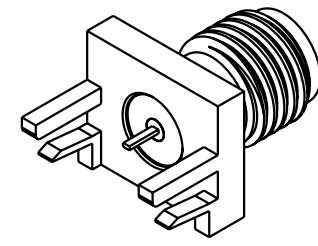


PART NUMBER	ITEM ① BODY	ITEM ② CONTACT	ITEM ③ INSULATOR
142-0791-821	BRASS GOLD PL .00001 MIN OVER NICKEL PL .00005 MIN OVER COPPER PL .00005 MIN	BERYLLIUM COPPER GOLD PL .00005 MIN OVER NICKEL PL .00005 MIN OVER COPPER PL .00005 MIN	TEFLON

DRAWING NO.
C - 142-0791-821/830

0 REVISIONS



NOTES:

1. SPECIFICATIONS:

ELECTRICAL:

IMPEDANCE: 50 OHMS
 FREQUENCY RANGE: 0-18 GHz (10 GHz MAX TYPICAL CIRCUIT BOARD TRANSITION)
 VSWR: NOT APPLICABLE
 WORKING VOLTAGE: 335 VRMS MAX AT SEA LEVEL
 DIELECTRIC WITHSTANDING VOLTAGE: 1000 VRMS MIN AT SEA LEVEL
 INSULATION RESISTANCE: 5000 MEGOHMS MIN
 CONTACT RESISTANCE: CENTER CONTACT - INITIAL 3 MILLIOHMS MAX,
 AFTER ENVIRONMENTAL NOT APPLICABLE
 OUTER CONDUCTOR - INITIAL 2.0 MILLIOHMS MAX
 AFTER ENVIRONMENTAL 4 MILLIOHMS MAX
 BRAID TO BODY - NOT APPLICABLE
 CORONA LEVEL: 250 VOLTS MIN AT 70,000 FEET
 INSERTION LOSS: NOT APPLICABLE
 RF LEAKAGE: NOT APPLICABLE
 RF HIGH POTENTIAL WITHSTANDING VOLTAGE: 670 VRMS MIN AT 4 AND 7 MHZ

MECHANICAL:

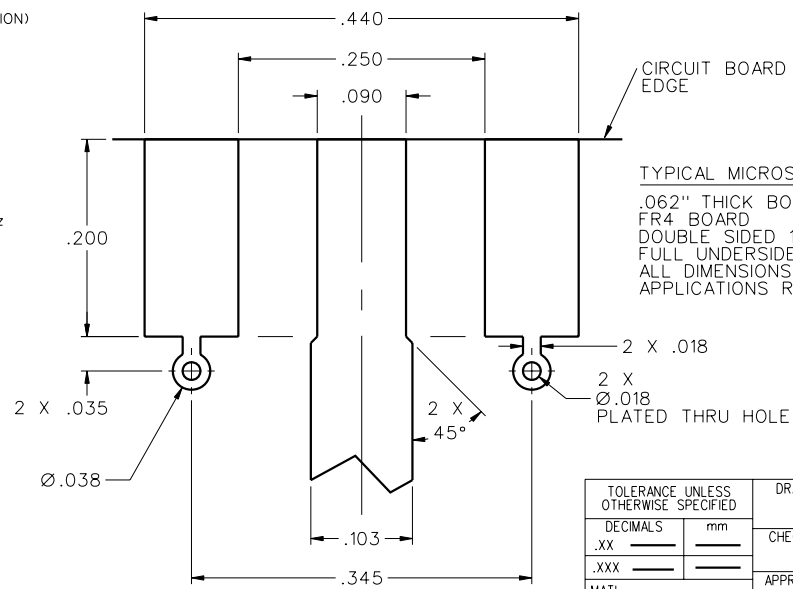
ENGAGE/DISENGAGE TORQUE: 2 INCH POUNDS MAX
 MATING TORQUE: 7-10 INCH POUNDS
 COUPLING PROOF TORQUE: NOT APPLICABLE
 COUPLING NUT RETENTION: NOT APPLICABLE
 CONTACT RETENTION: 6 LBS MIN AXIAL FORCE
 4 OZ-IN MIN RADIAL TORQUE
 CABLE ACCEPTABILITY: NOT APPLICABLE
 CABLE RETENTION: NOT APPLICABLE
 DURABILITY: 500 CYCLES MIN

ENVIRONMENTAL:

(MEETS OR EXCEEDS THE APPLICABLE PARAGRAPH OF MIL-PRF-39012)
 THERMAL SHOCK: MIL-STD-202, METHOD 107, CONDITION B
 OPERATING TEMPERATURE: -65° C TO 165° C
 CORROSION: MIL-STD-202, METHOD 101, CONDITION B
 SHOCK: MIL-STD-202, METHOD 213, CONDITION I
 VIBRATION: MIL-STD-202, METHOD 204, CONDITION D
 MOISTURE RESISTANCE: MIL-STD-202, METHOD 106

2. ALL CONNECTOR TERMINALS ARE INTENDED TO BE SOLDERED TO CIRCUIT BOARD.

3. EMERSON NETWORK POWER CONNECTIVITY SOLUTIONS SELF FIXTURE END LAUNCH CONNECTORS ARE COVERED UNDER U.S. PATENT NUMBER 7,500,855.



CIRCUIT BOARD EDGE
 TYPICAL MICROSTRIP TOPSIDE LAYOUT
 .062" THICK BOARD
 FR4 BOARD
 DOUBLE SIDED 1 OZ COPPER
 FULL UNDERSIDE GROUND PLANE
 ALL DIMENSIONS ARE REFERENCE
 APPLICATIONS REQUIRE OPTIMIZATION

FOR QUOTATION ONLY
UNAPPROVED

CUSTOMER DRAWING

THIS DRAWING TO BE INTERPRETED PER ASME Y 14.5M - 1994

"μSTATION"

COMPANY CONFIDENTIAL

TOLERANCE UNLESS OTHERWISE SPECIFIED	DRAWN BY JDS	DATE 9-18-07
DECIMALS	CHECKED BY	DATE
.XXX	APPROVED BY	DATE
MATL	RELEASE DATE	
FINISH	U/M	INCH
	SCALE	10:1

EMERSON
Network Power

Connectivity Solutions
P.O. Box 1732
Waseca, MN 56093
1-800-247-8256

TITLE
SMA JACK ASSEMBLY
SELF FIXTURING END LAUNCH,
TAB CONTACT, .062 BOARD

SHEET 2 OF 2
DRAWING NO.
C - 142-0791-821/830